

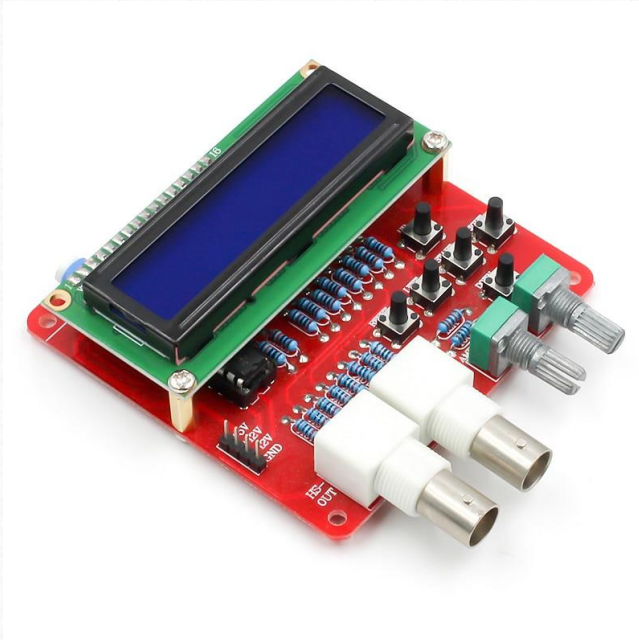
# Signal generator

## OZ6HR



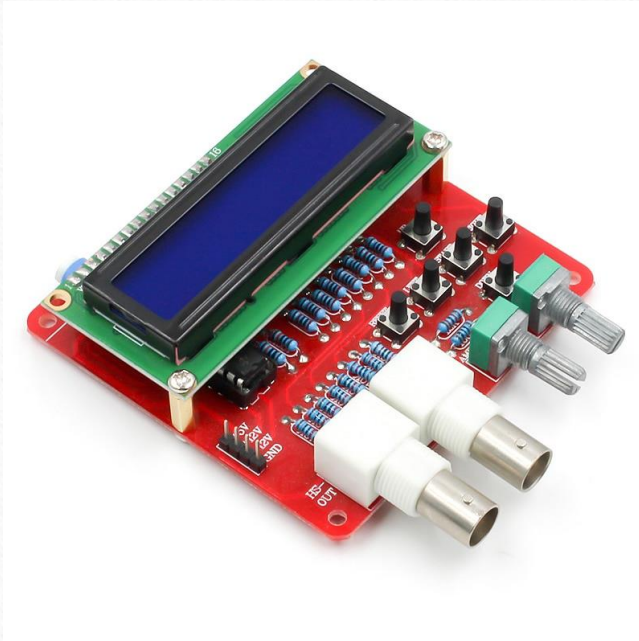
# DDS generator

---

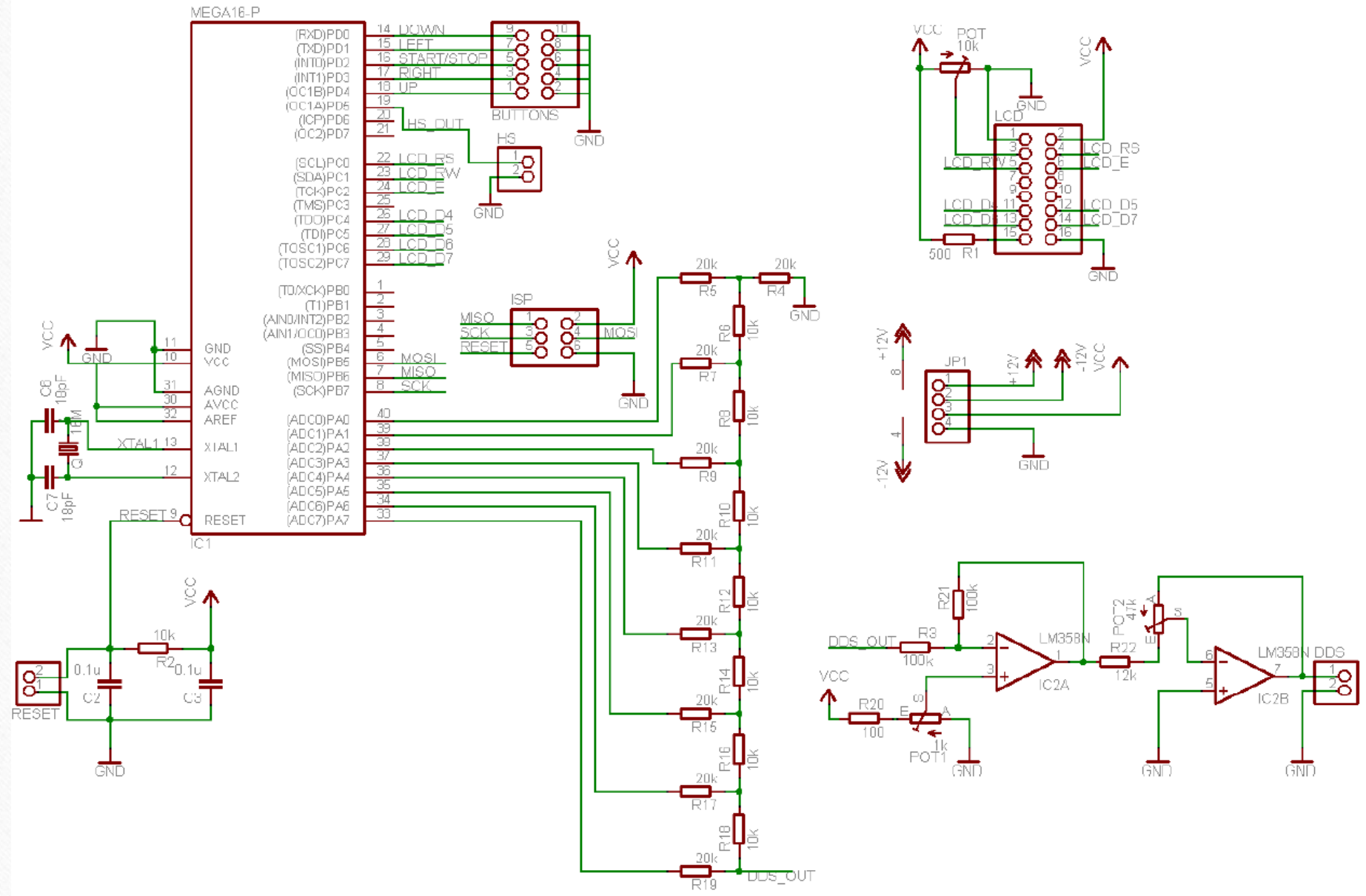


- DDS signals: Sine, square, saw, rev saw, triangle, ECG and noise.
- Frequency range: 1 to 65.534 Hz.
- 8 bit D/A resolution (R2R network)
- DDS signal with variable amplitude and offset
- Frequency adjusting steps: 1, 10, 100, 1.000, 10.000 Hz.
- Dedicated high speed (HS) signal output: 1, 2, 4 and 8 MHz
- 2 \* 16 LCD menu, five-button keypad plus reset
- ATmega16 microprocessor controlled
- FW update possible.

# DDS enclosure & DC converter



<https://www.thingiverse.com/thing:1380439>





# Parts list

---

## Part

1. DSS generator kit
2. B1212S isolated dc/dc module
3. 78M05 voltage regulator (SMD)
4. Capacitors 0.1uF (SMD 1206 x 2)
5. Capacitors 100uF-16V tantalum (x3)
6. Diode 1N4001
7. DC socket 5.5 \* 2.1 for panel mount
8. Polyfuse 100mA
9. Knob for potentiometers (x2)

## Search name on aliexpress:

1. DDS Function Signal Generator DIY Kit
2. b1212s 1w
3. 78m05 voltage regulator
4. smd capacitor 1206 100n
5. Tantalum capacitor 16v 100u
6. 1n4001 diode
7. 2.1mm x 5.5mm panel mount
8. RXEF010
9. WH148 AG1 Potentiometer knob

# Other parts – not included

- Power adapter 230V AC/12V DC with 5.5/2.1 mm jack
- Housing (3D printed or ?)

## Link to article

<https://scienceprog.com/avr-dds-signal-generator-v20/>